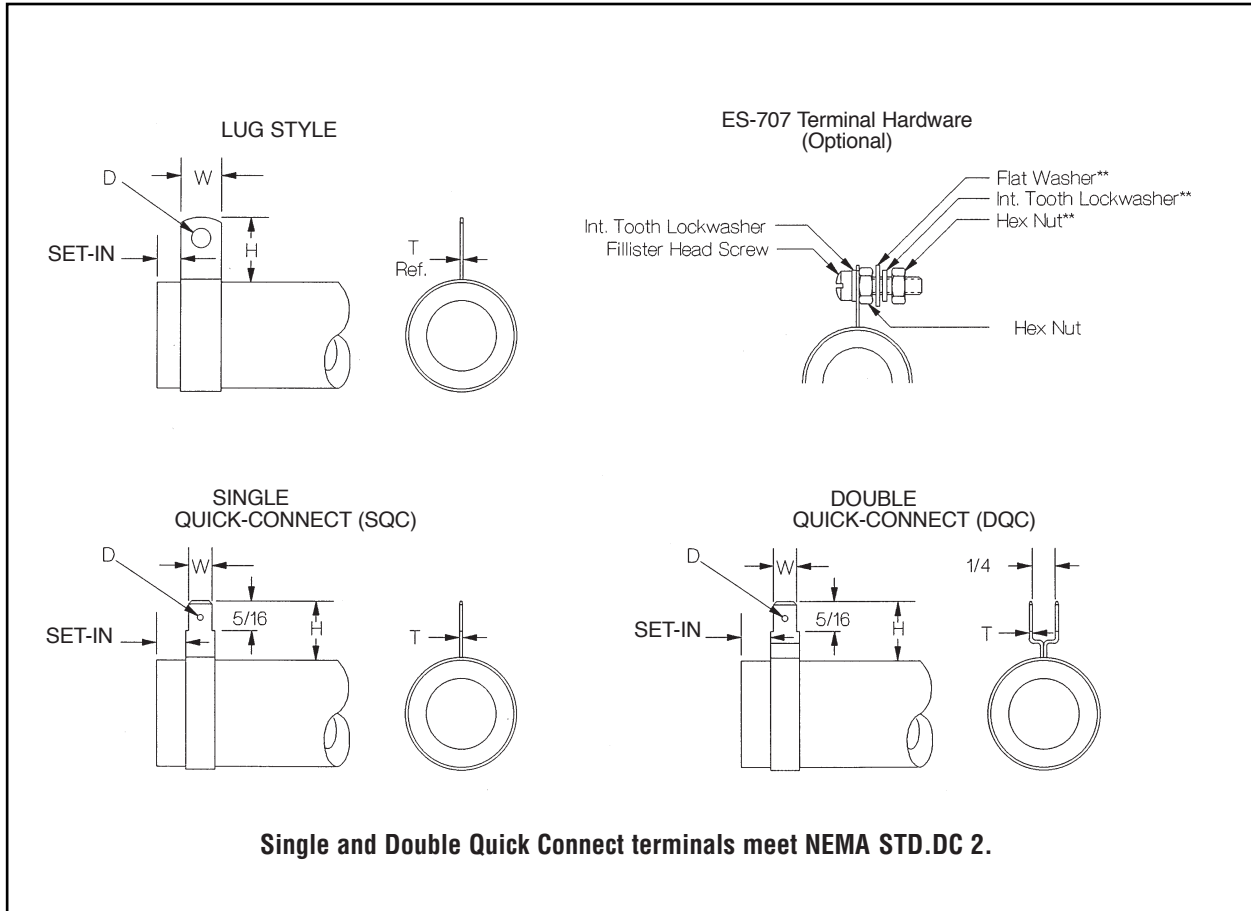


Terminal Data



(All dimensions in inches)

The following table lists standard dimensions. Special "Set-in" can be provided upon request.

TERMINAL SET-IN BY CORE SIZE (OD)												
	W	H (ref.)	D	T (ref.)	3/16	1/8	3/16	1/4	1/2	3/4	1	1 1/2
LUG STYLE	3/16	3/8	0.13	0.020	3/32	1/8	1/8	1/8	-	-	-	-
	1/4	1/2	0.17	0.020	-	1/8	1/8	1/4*	1/4	-	-	-
	5/16	5/8	0.17	0.020	-	-	1/8	1/4*	1/4	-	-	-
	3/8	5/8	0.20	0.035	-	-	1/8	1/4*	1/4	1/2	1/2	-
	1/2	15/16	0.26	0.046	-	-	-	1/4*	1/4	1/2	1/2	1/2
SQC	1/4	5/8	0.065	0.032	3/32	1/8	1/8	1/4*	1/4	-	1/2	-
DQC	1/4	5/8	0.065	0.032	-	-	5/16	5/16	5/16	5/16	-	-

* 1/8" for Roundwire Resistors.